

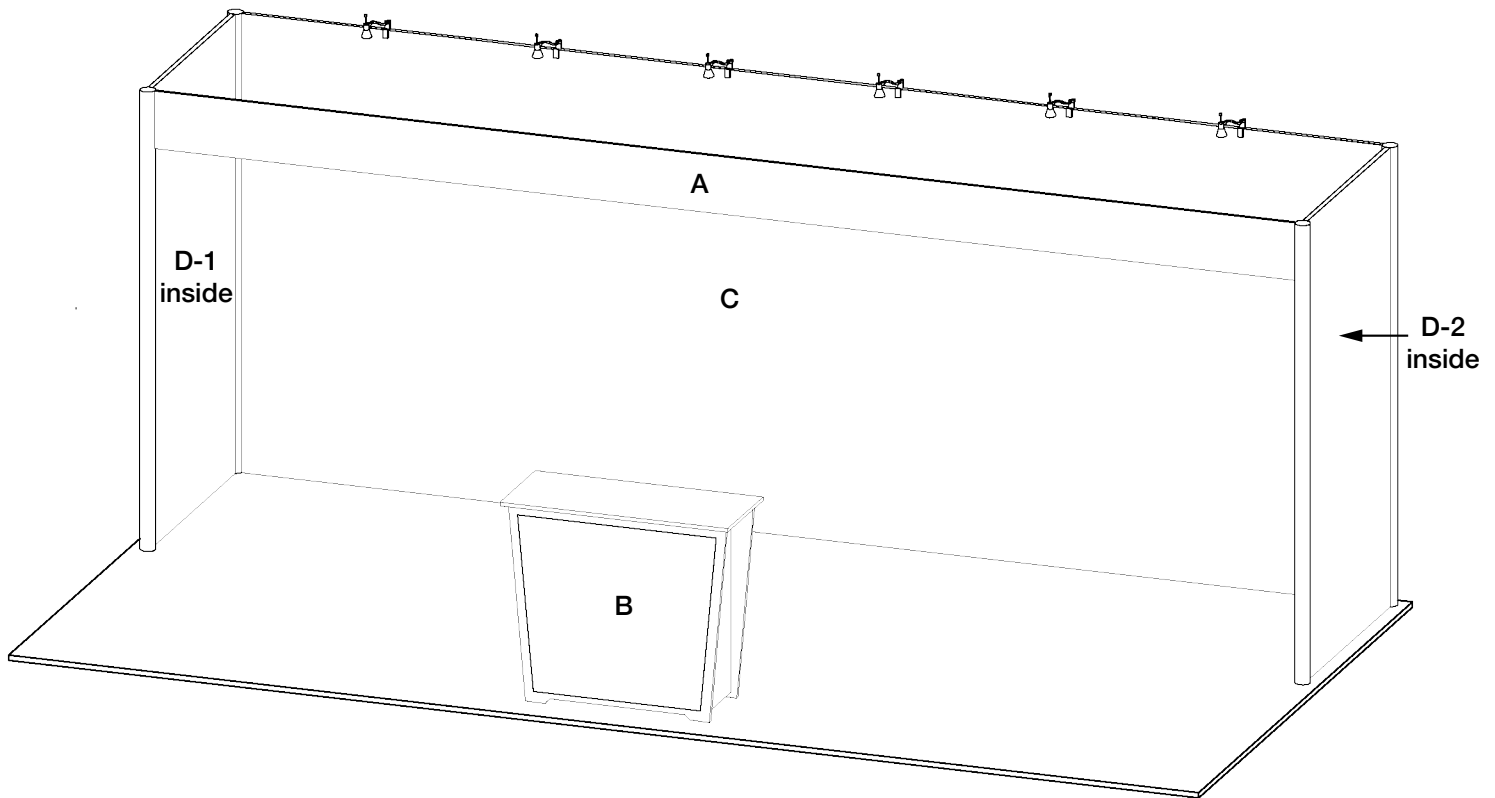


KIT AS SHOWN INCLUDES

- (1) long, booth spanning identification header.
- (1) "EV2" standalone counter, 46"w x 20"d black laminate top, choice of sintra sides or graphics.
- (6) arm lights.

CHOICE of black, white or gray sintra provided standard for all solid infill walls that do not have graphics, unless described otherwise.

- * White laminate standard for EV2 Wall Counter sides. Front may be choice of sintra colors or printed graphic.
 - White laminate standard for EV2 Standalone Counter front. Sides may be choice of sintra colors or printed rigid graphic.
- Consult your account rep for options. Additional elements, merchandising and graphics are available.



GRAPHICS - PACKAGE A

A. - (1) 230"w x 11.5"h, flexible.

B. - (1) 40"w x 35"h maximum size, SINGLE USE "low-tac" adhesive, front. Refer to template provided.

White laminate will be visible 2" at edges or behind any smaller profile cut graphics. (Vector art/ cut lines must be provided for profile.)

GRAPHICS - PACKAGE B

Package A, PLUS

C. - (1) 230"w x 92"h, rigid. Approximately 46" will be obscured by workstation, starting about 23" from right edge.

GRAPHICS - PACKAGE C

Package A and B, PLUS

D. - (2) 46"w x 92"h, rigid.

KIT PACKAGE PRICING DOES NOT INCLUDE chairs, benches, tables, computers, monitors/cables, and carpet.
Additional elements, merchandising and graphics are available through your account representative.

Please follow our graphic file submission guidelines for all printed elements to avoid resubmission requests and delay.
Allow at least 10 business days for graphic production.

MK BATTERY
An East Penn Manufacturing Co. Subsidiary

MK BATTERY
An East Penn Manufacturing Co. Subsidiary

Beka
UltraBattery

*A New Dimension in
Lead-Acid Battery Technology*

*Ultracapacitor Integrated
Lead-Acid Energy Storage*

The UltraBattery is perfect for low-voltage home and

Beka
UltraBattery



MK BATTERY
An East Penn Manufacturing Co. Subsidiary

MK BATTERY
An East Penn Manufacturing Co. Subsidiary

UltraBattery

*A New Dimension in
Lead-Acid Battery Technology*

*The UltraBattery is perfect for low-voltage home and
commercial use, as well as high-voltage grid applications.*

MK BATTERY
ENERGY STORAGE GROUP

Deka
SOLAR
PROFESSIONAL BATTERIES

Deka
unigy

Deka
fahrenheit

Deka
UltraBattery

Ultra-capacitor integrated
Lead-Acid Energy Storage

Deka
UltraBattery

Deka
UltraBattery



MK BATTERY
An East Penn Manufacturing Co. Subsidiary



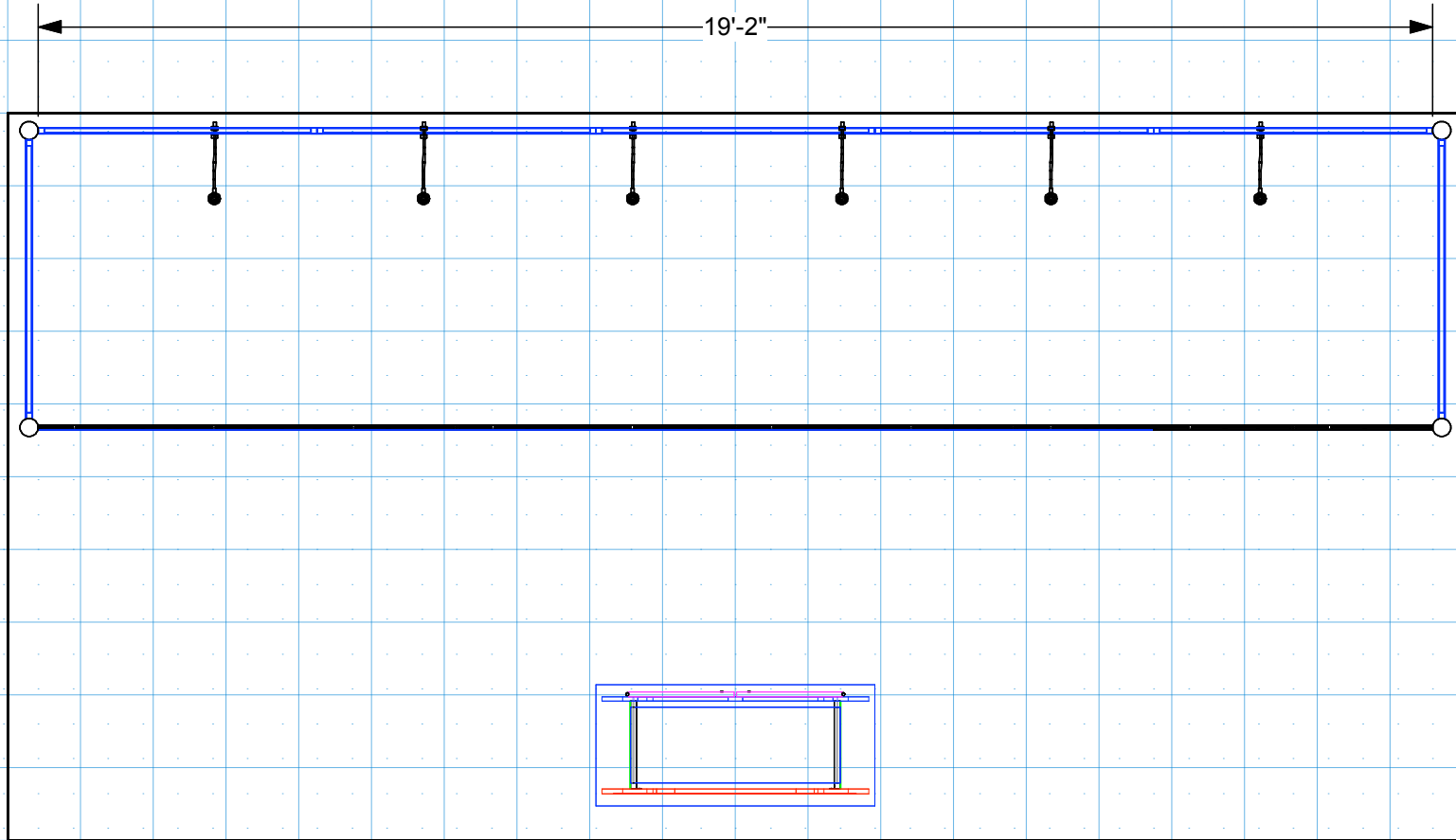
MK BATTERY
An East Penn Manufacturing Co. Subsidiary

A New Dimension in Lead-Acid Battery Technology

The UltraBattery is perfect for low-voltage home and commercial use, as well as high-voltage grid applications.

MK BATTERY
ENERGY STORAGE GROUP





DRAWN BY: LH

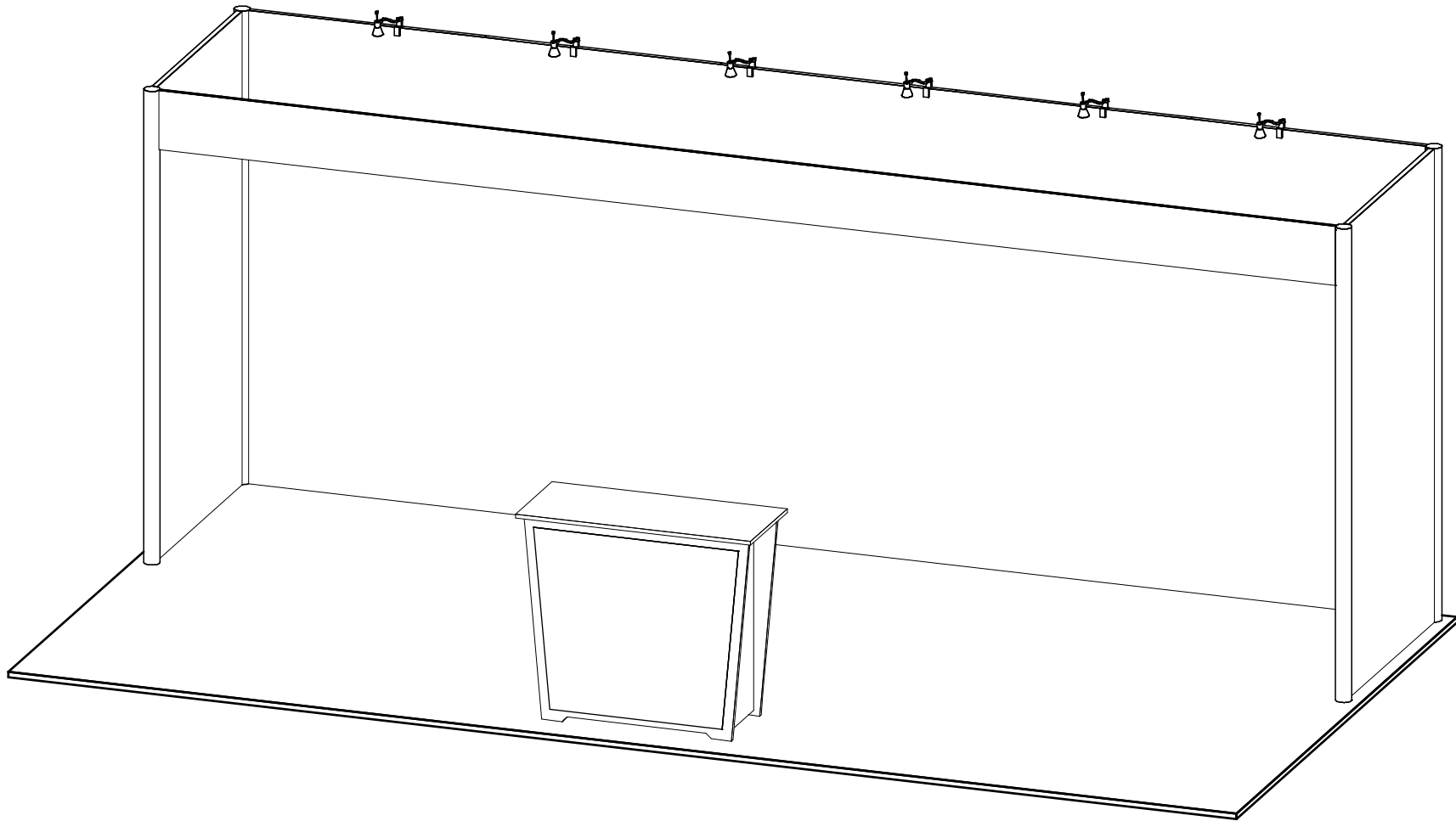
DESIGN : EV2 Convertible V1

DATE: 07/10/17

REFERENCE: 10x20

© Trussworks 2017

The designs shown herein are the proprietary property of Trussworks and protected by copyright and other laws. This document is to be maintained in confidence. No portion of the information or design shown herein may be reproduced, electronically or otherwise, nor may any display be made from this design without written consent from Trussworks.



DRAWN BY: LH

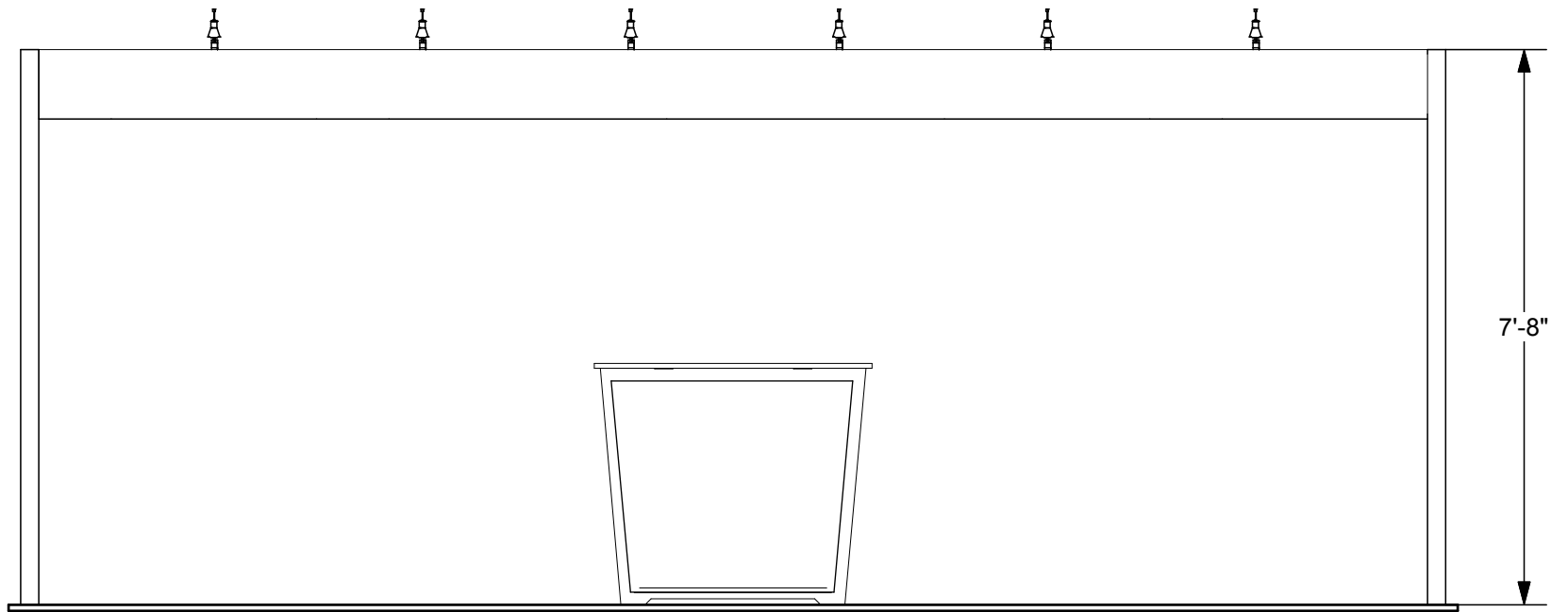
DESIGN : EV2 Convertible V1

DATE: 07/10/17

REFERENCE: 10x20

© Trussworks 2017

The designs shown herein are the proprietary property of Trussworks and protected by copyright and other laws. This document is to be maintained in confidence. No portion of the information or design shown herein may be reproduced, electronically or otherwise, nor may any display be made from this design without written consent from Trussworks.



DRAWN BY: LH

DESIGN : EV2 Convertible V1

DATE: 07/10/17

REFERENCE: 10x20

© Trussworks 2017

The designs shown herein are the proprietary property of Trussworks and protected by copyright and other laws. This document is to be maintained in confidence. No portion of the information or design shown herein may be reproduced, electronically or otherwise, nor may any display be made from this design without written consent from Trussworks.