

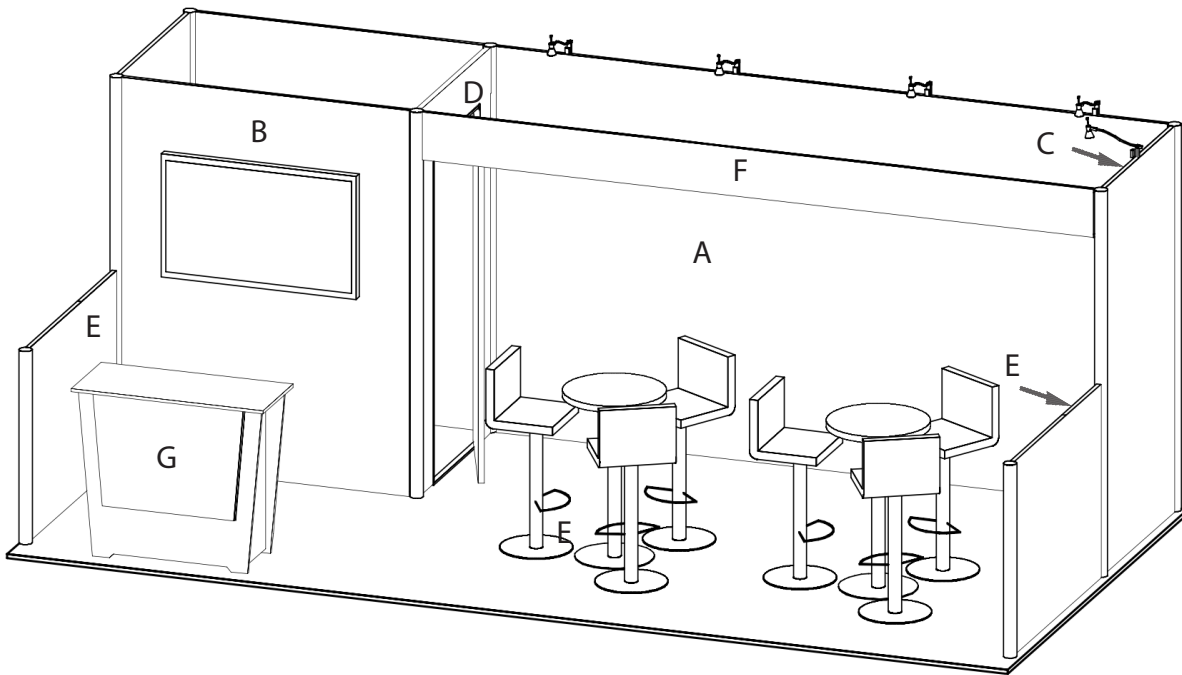
10 x 20 wallframe rental kit to include:

- (1) 161" x 92" high backwall
- (1) 46" x 69" x 92" closet
- (1) 46" x 92" return
- (2) 57.5" x 46" pony walls
- (1) 161" x 11.5" header
- (5) clamp on lights
- (1) white "EV2" locking standalone counter, 46"w x 20"d black laminate top
- (1) silhouette lighting accessory for counter graphic

CHOICE of black, white, or gray sintra provided standard for all solid infill walls that do not have graphics, unless described otherwise

\*White laminate standard for EV2 wall counter sides and standalone counter front and sides

Consult your account rep for options. Additional elements, merchandising and graphics are available



GRAPHIC SPECS

- A. - (1) 161" w x 92" h Sintra graphic mural
- B. - (1) 69" w x 92" h Sintra Graphic panel
- C. - (1) 46" w x 92" h Sintra Graphic panel
- D. - (1) 46" w x 92" h Sintra Graphic panel (w/ door)
- E. - (2) 57.5" w x 46" h Sintra Graphic panel
- F. - (2) 161" w x 11.5" h Sintra Graphic mural
- G. - (1) 36" w x 26.5" h Profile cut Sintra Counter Graphic

**KIT PACKAGE PRICING DOES NOT INCLUDE chairs, benches, tables, computers, monitors/cables, and carpet. Additional elements, merchandising and graphics are available through your account representative.**

**Please follow our graphic file submission guidelines for all printed elements to avoid resubmission requests and delay. Allow at least 10 business days for graphic production.**

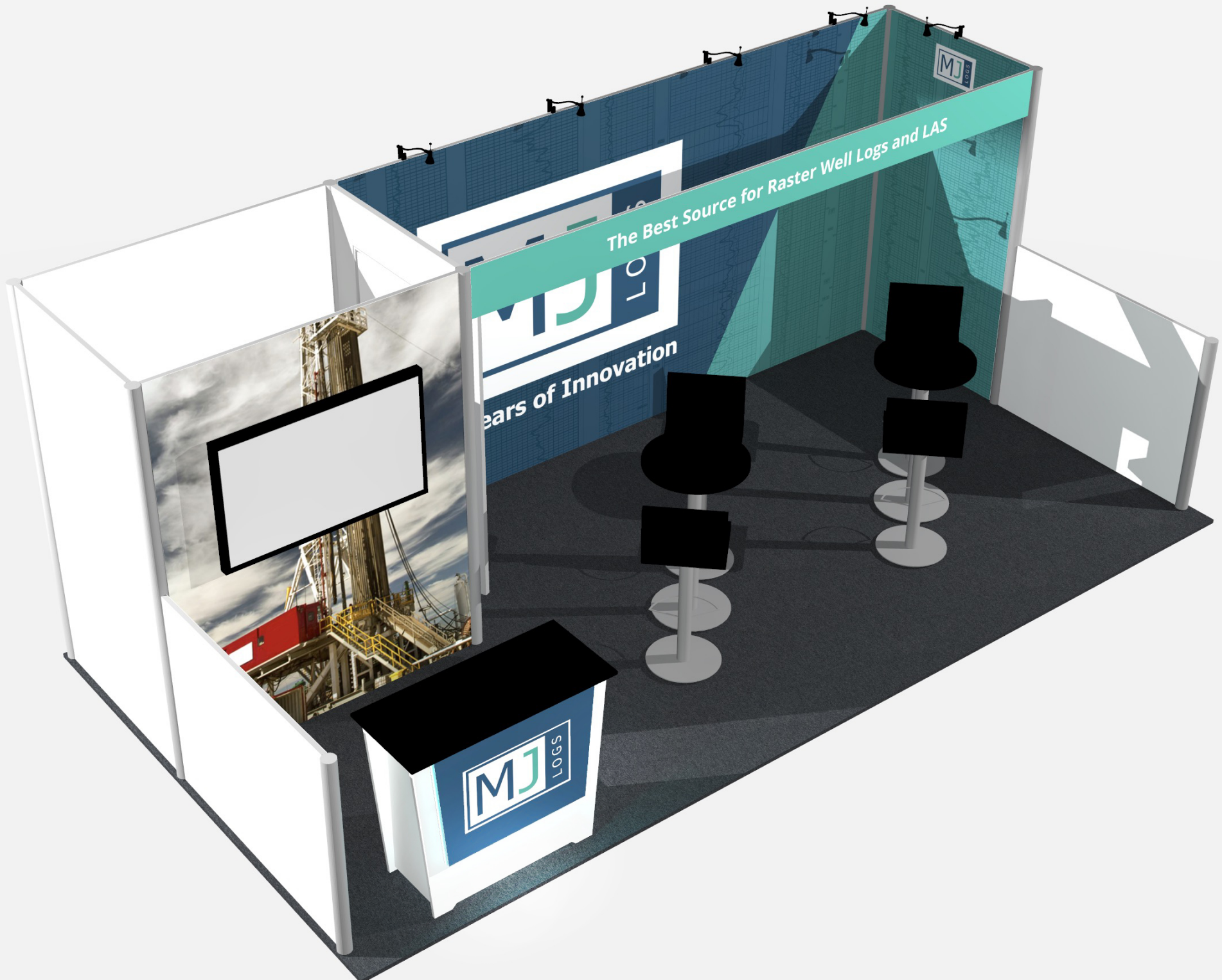


The Best Source for Raster Well Logs and LAS



50 Years





The Best Source for Raster Well Logs and LAS

Years of Innovation

MJ LOGS

MJ LOGS

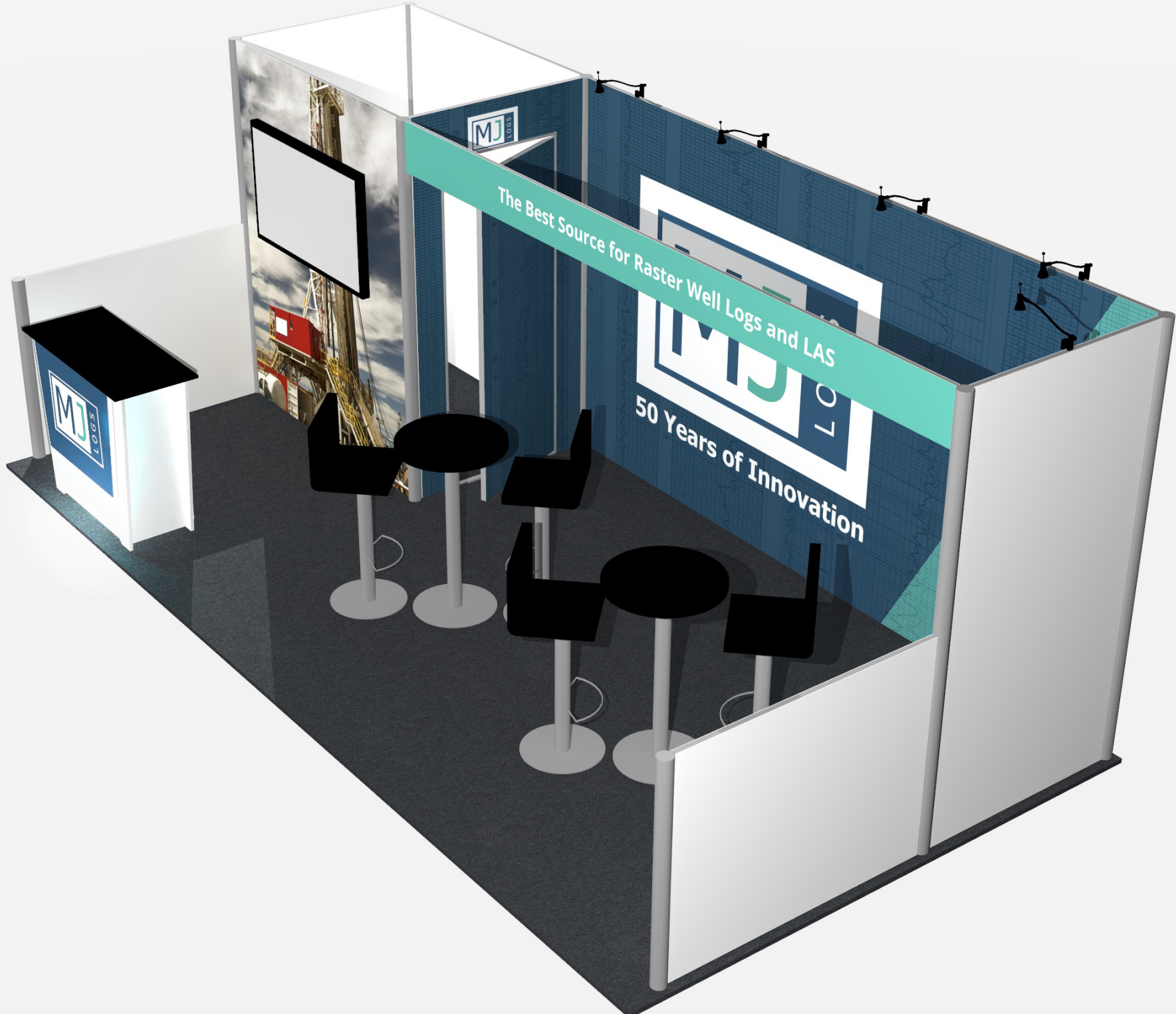


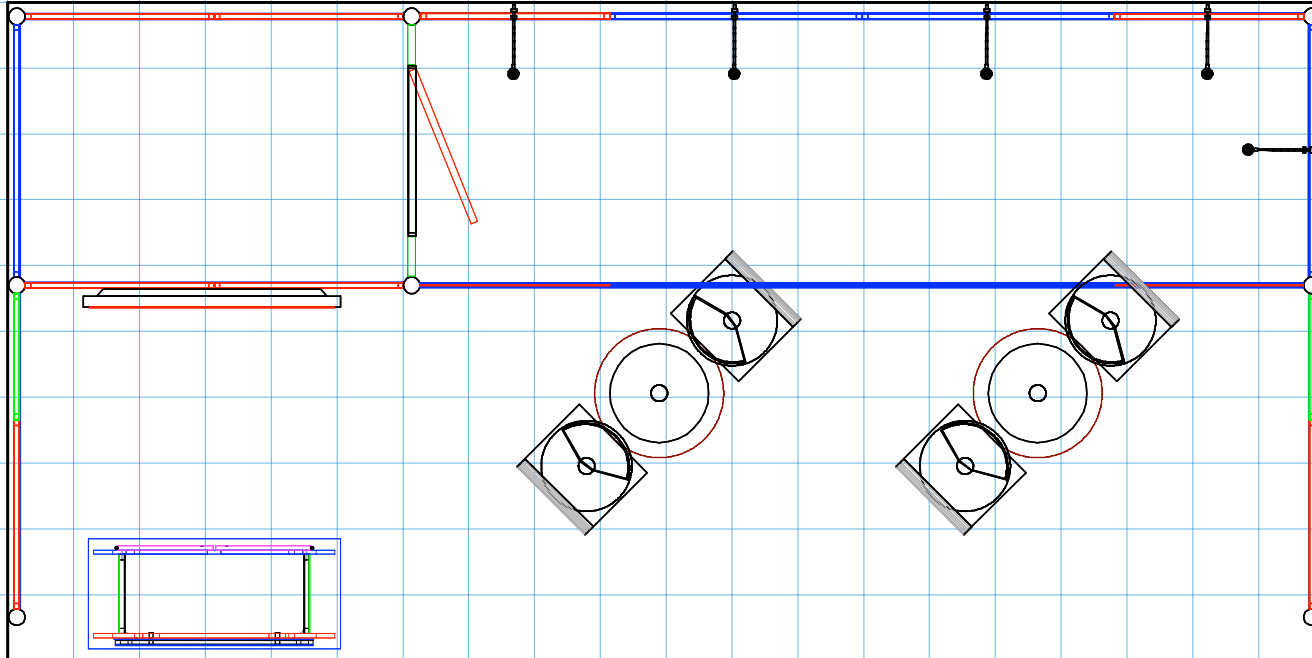
The Best Source for Raster Well Logs and LAS



50th Anniversary







DRAWN BY: LH

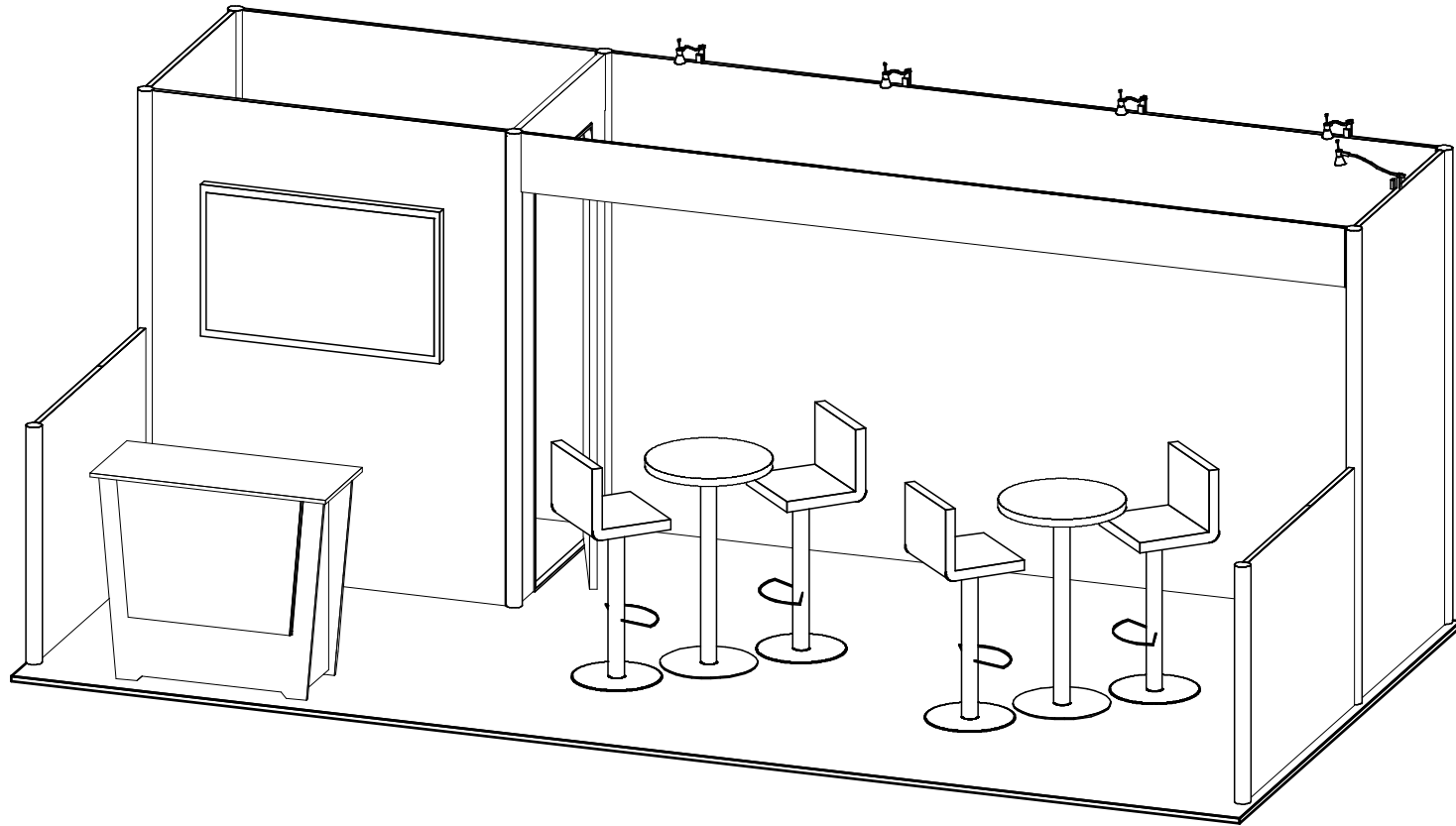
**DESIGN : EV2-ML79**

**DATE:** 12/16/22

**REFERENCE:** 10X20

**© 2022**

The designs shown herein are protected by copyright and other laws. This document is to be maintained in confidence. No portion of the information or design shown herein may be reproduced, electronically or otherwise, nor may any display be made from this design without written consent.



DRAWN BY: LH

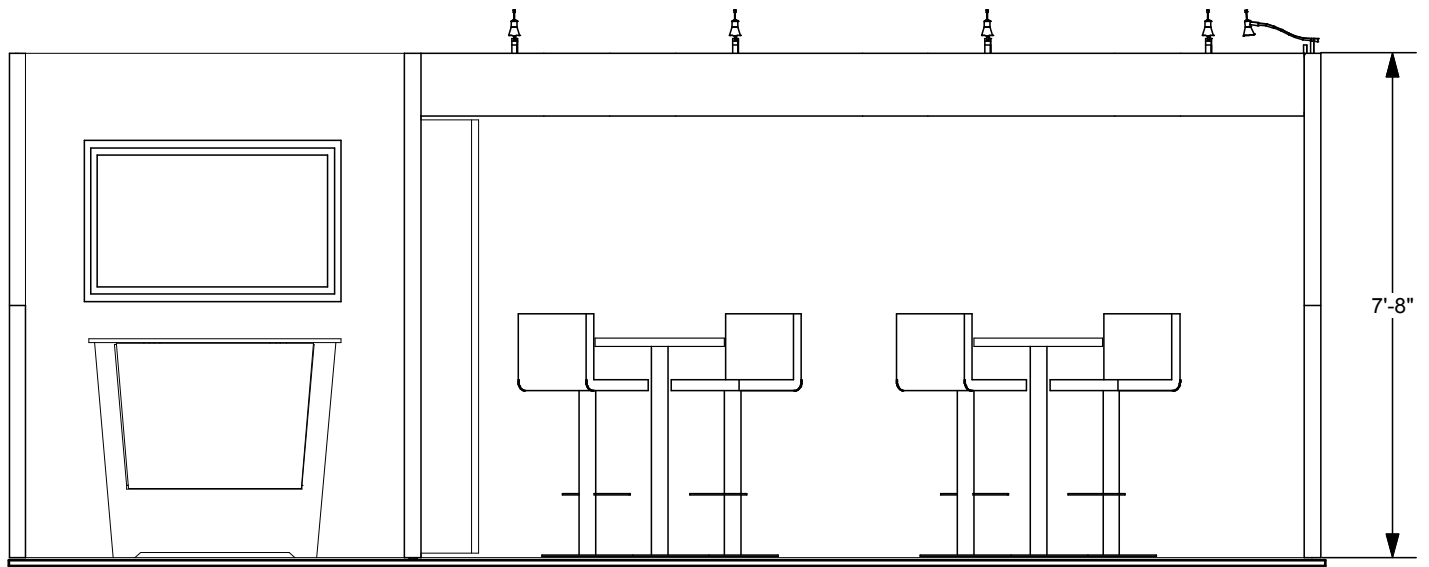
**DESIGN : EV2-ML79**

**DATE: 12/16/22**

**REFERENCE: 10X20**

**© 2022**

The designs shown herein are protected by copyright and other laws. This document is to be maintained in confidence. No portion of the information or design shown herein may be reproduced, electronically or otherwise, nor may any display be made from this design without written consent.



DRAWN BY: LH

**DESIGN : EV2-ML79**

**DATE: 12/16/22**

**REFERENCE: 10X20**

**© 2022**

The designs shown herein are protected by copyright and other laws. This document is to be maintained in confidence. No portion of the information or design shown herein may be reproduced, electronically or otherwise, nor may any display be made from this design without written consent.